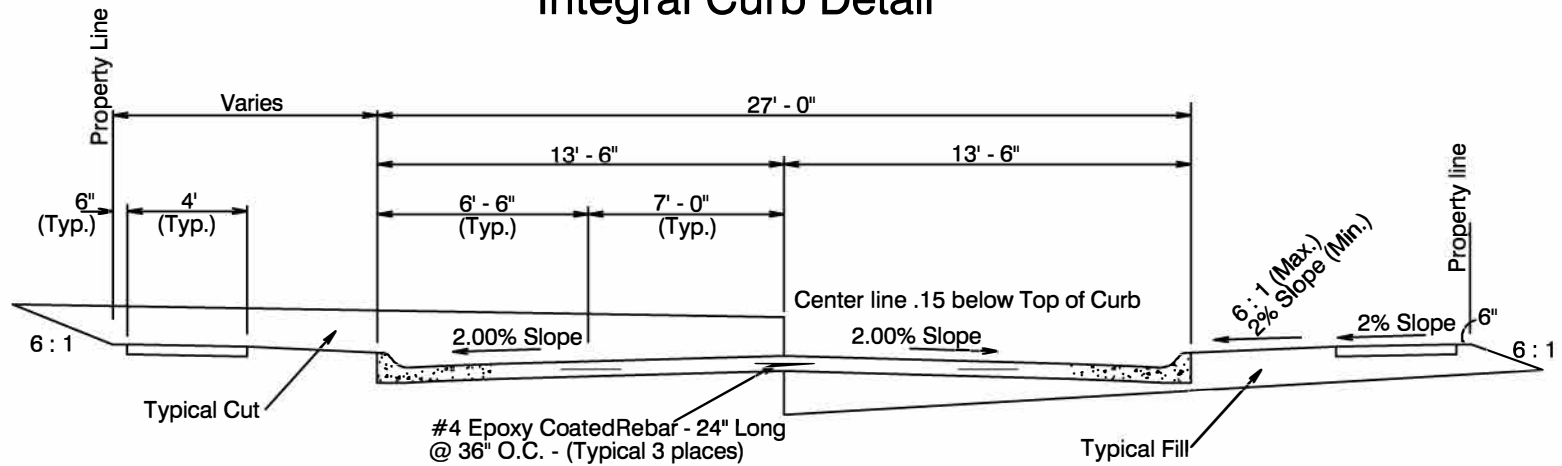
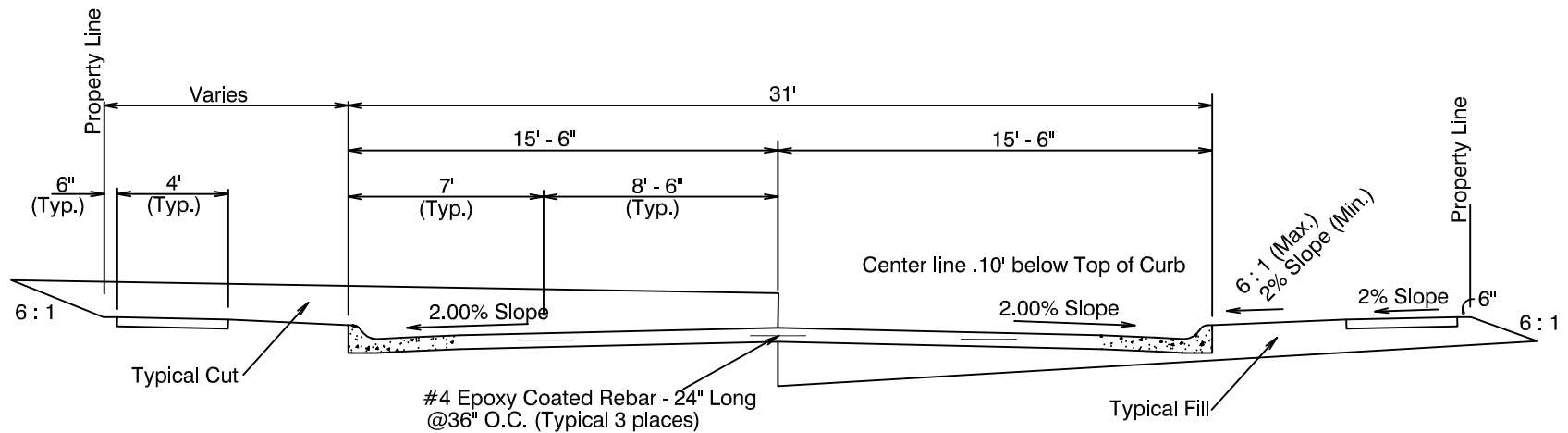


Integral Curb Detail

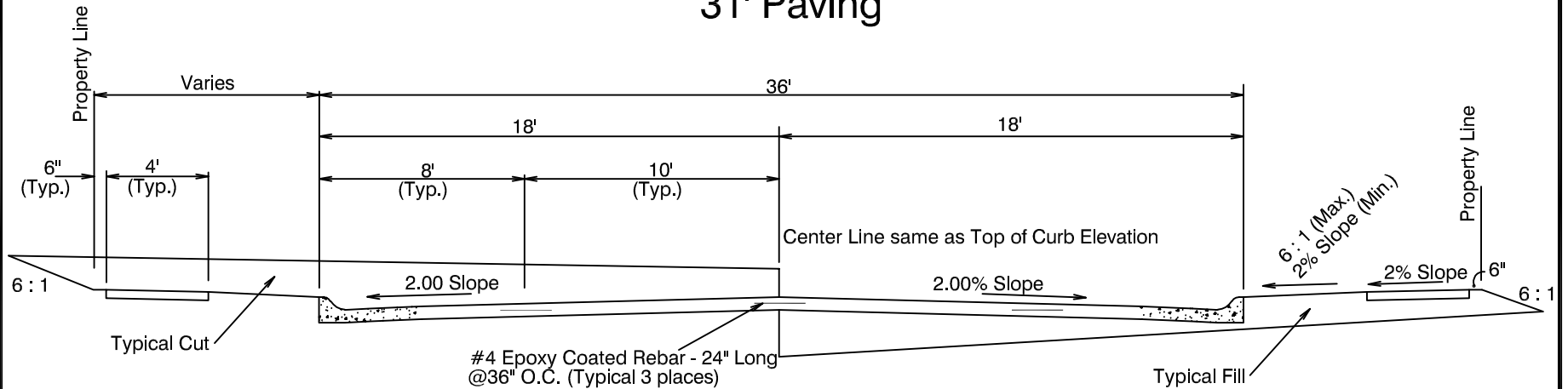


27' Paving

Revised 7-2020

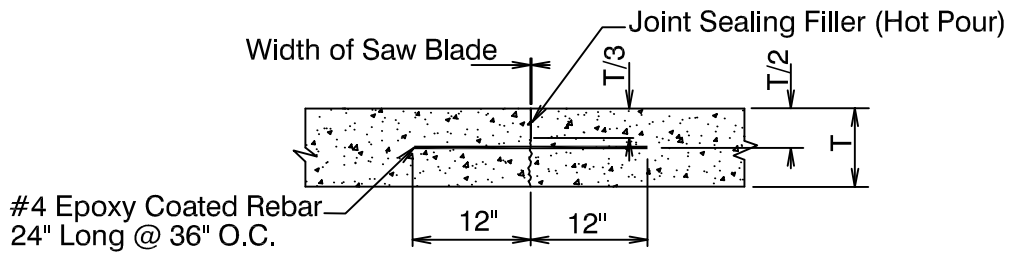


### 31' Paving

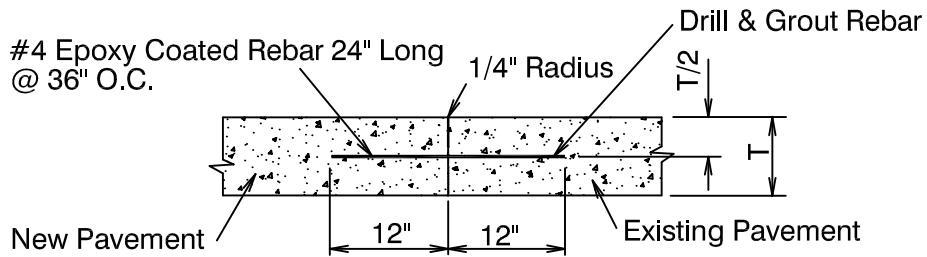


### 36' Paving

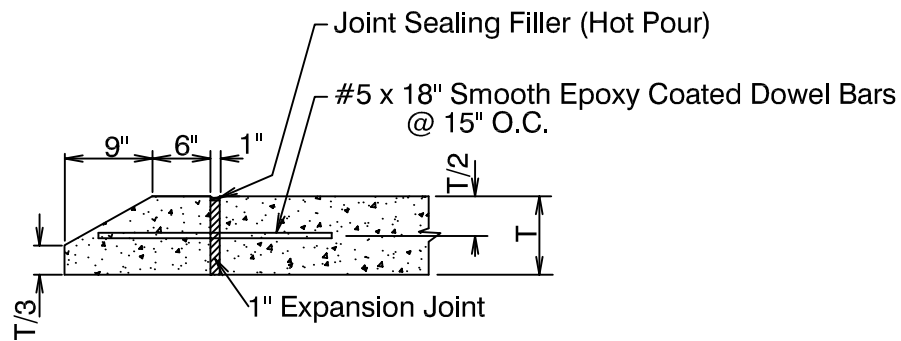
Revised 7-2020



## LONGITUDINAL JOINTS



## LONGITUDINAL CONSTRUCTION JOINT



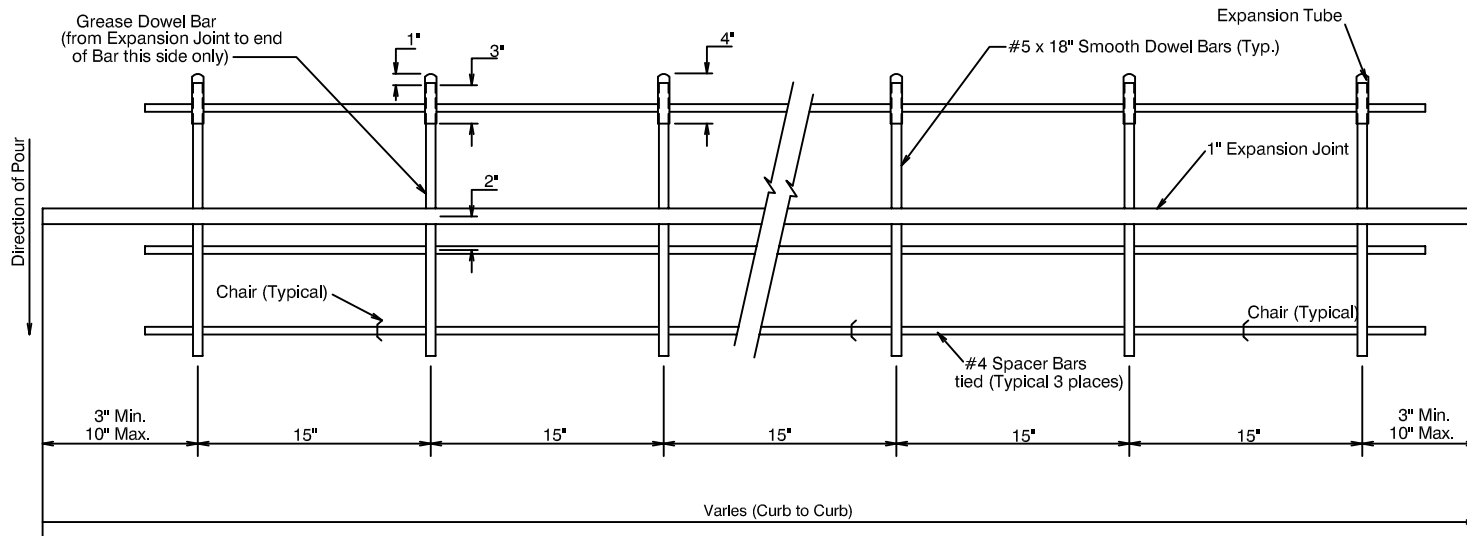
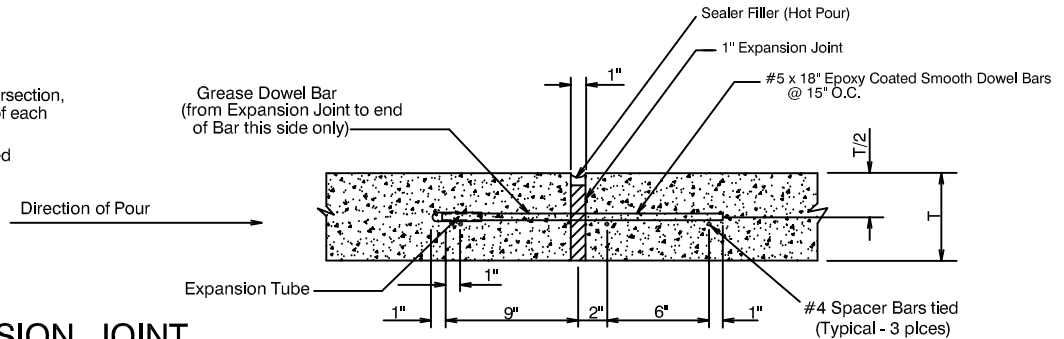
## CONCRETE HEADER

Revised 7-2020

NOTE:

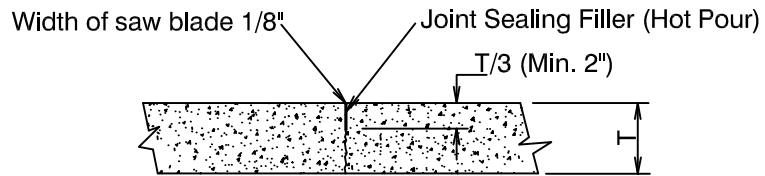
1. Expansion joints shall be placed on each leg of an intersection, within 20' of where headers are removed, on P.C. & P.T. of each curve and spaced not over 300' apart. (Non Pay Item)
2. Factory made assemblies may be substituted if approved by City Engineer.

### EXPANSION JOINT



### EXPANSION JOINT ASSEMBLY PLAN

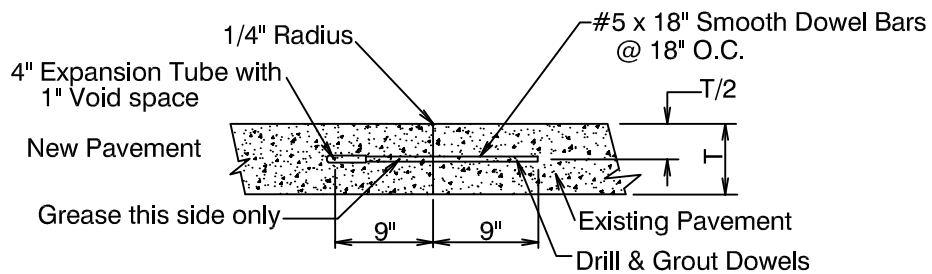
Revised 7-2020  
NOT TO SCALE



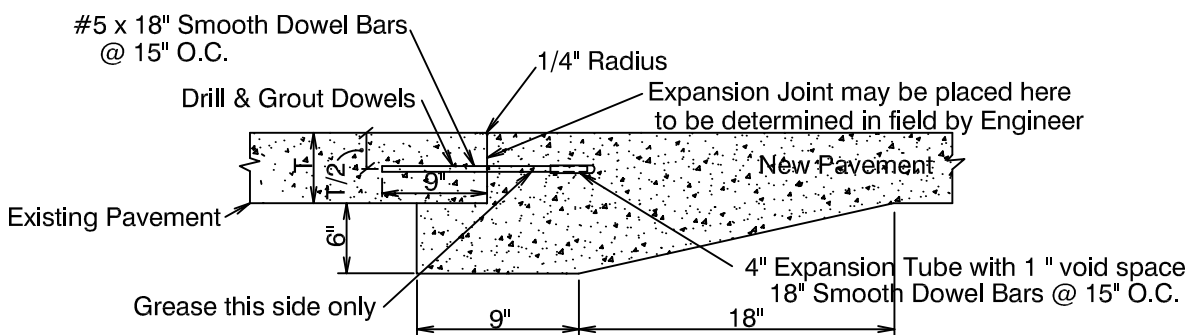
Notes:

1. All contraction joints shall be sawed unless so designed in Special Provisions.
2. Maximum contraction joint spacing 16' - 4" (15' - 0" Standard) but uniform spacing is required in each block.
3. All Reinforcing steel and dowel bars shall be epoxy coated.

### CONTRACTION JOINT SAWED

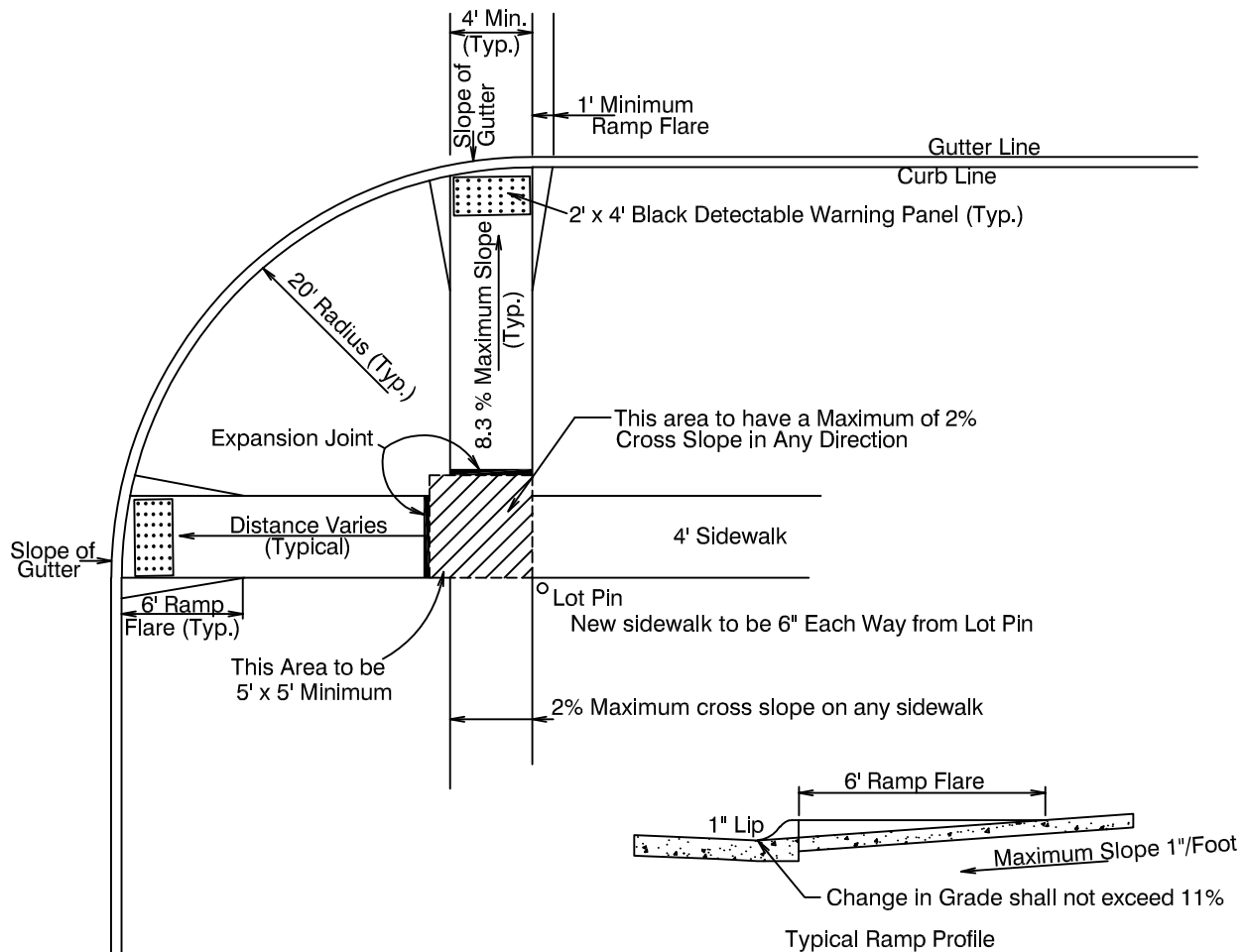


### TRANSVERSE CONSTRUCTION JOINT



### SPECIAL CONSTRUCTION JOINT

Revised 7-2020

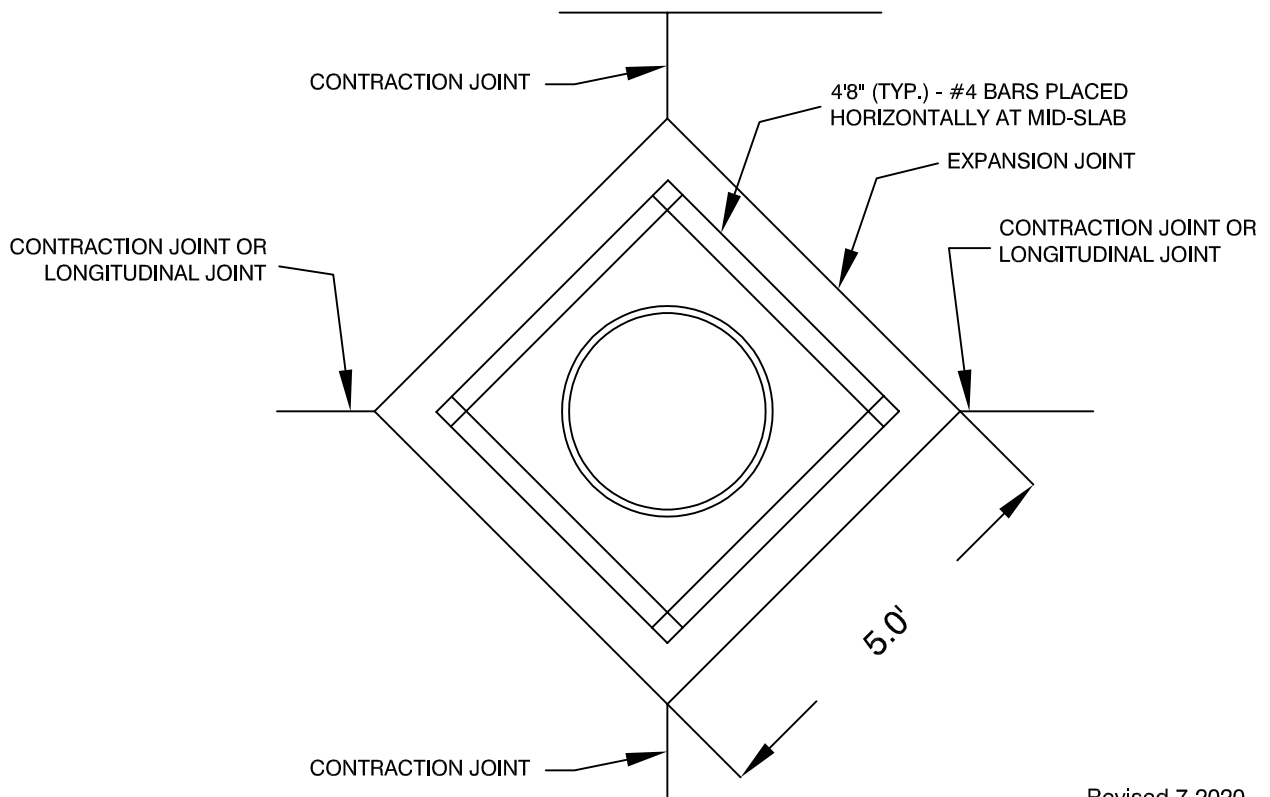
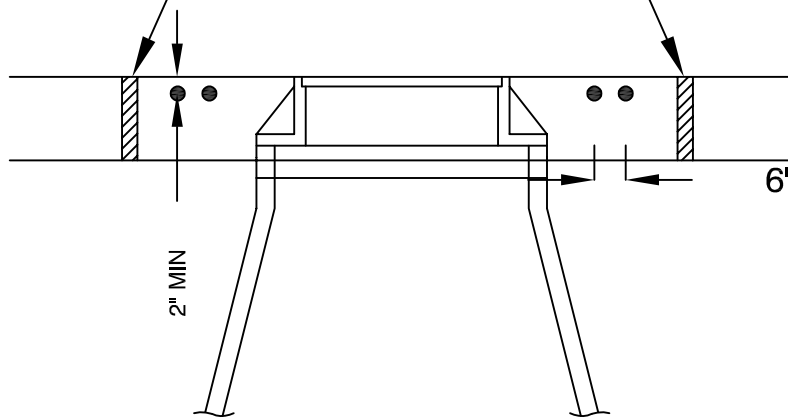


NOTES:

1. All sidewalks and ramps to meet Current ADA Standards.
2. Contractor shall install detectable warning panels so that the rows of raised domes are parallel with the street crossing.
3. The normal gutter line profile shall be maintained through the area of the ramp.
4. Care shall be taken to assure a uniform grade on the ramp, free of sags and short grade changes.

Revised 7-2020  
NOT TO SCALE

EXPANSION JOINT WITH 1" EXPANSION MATERIAL TO BE USED IN CONSTRUCTION OF MANHOLE STRUCTURE. SEE "EXPANSION JOINT" STANDARD DRAWING PAGE IV.28



Revised 7-2020  
NOT TO SCALE