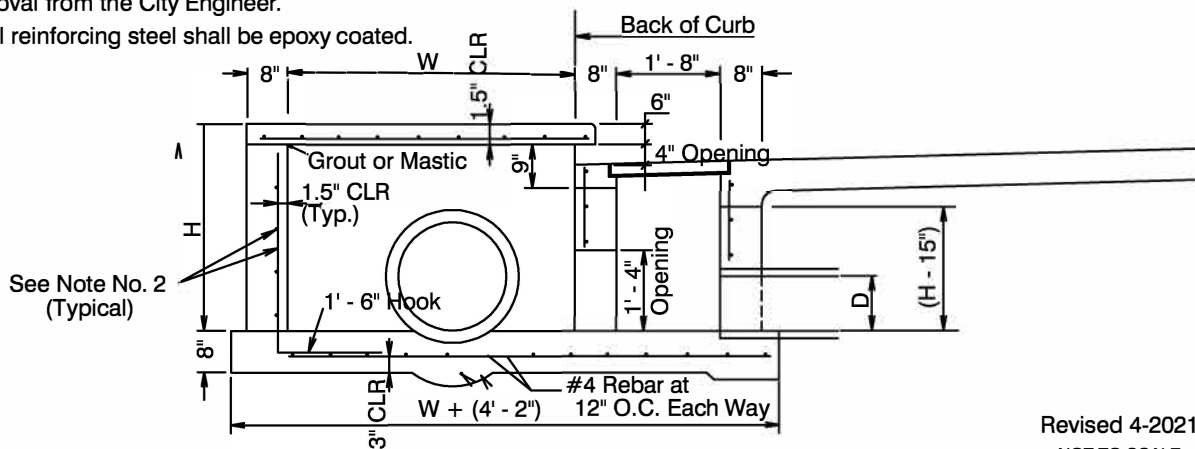


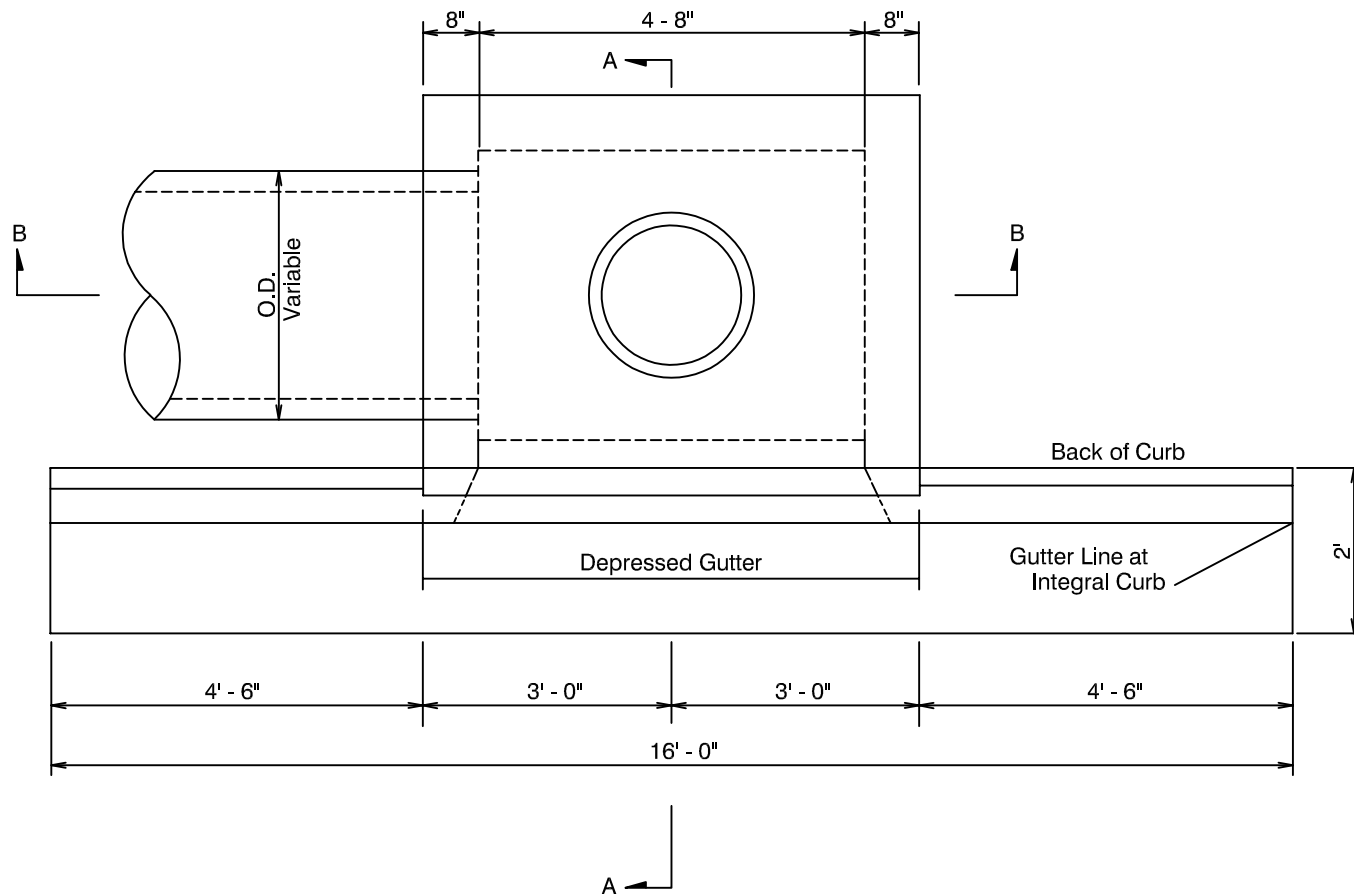
Notes:

1. All cold Construction Joints shall be doweled with #4 Rebar at 1' - 0" O.C. when wall reinforcement is not required.
2. Contractor shall install reinforcing in walls when wall height is greater than 4' - 0". Wall reinforcing shall be #4 rebar at 12" O.C. each way unless indicated otherwise. Lap splices shall be 1' - 6" Minimum.
3. Type 'A' inlets shall only be used with Approval from the City Engineer.
4. All reinforcing steel shall be epoxy coated.

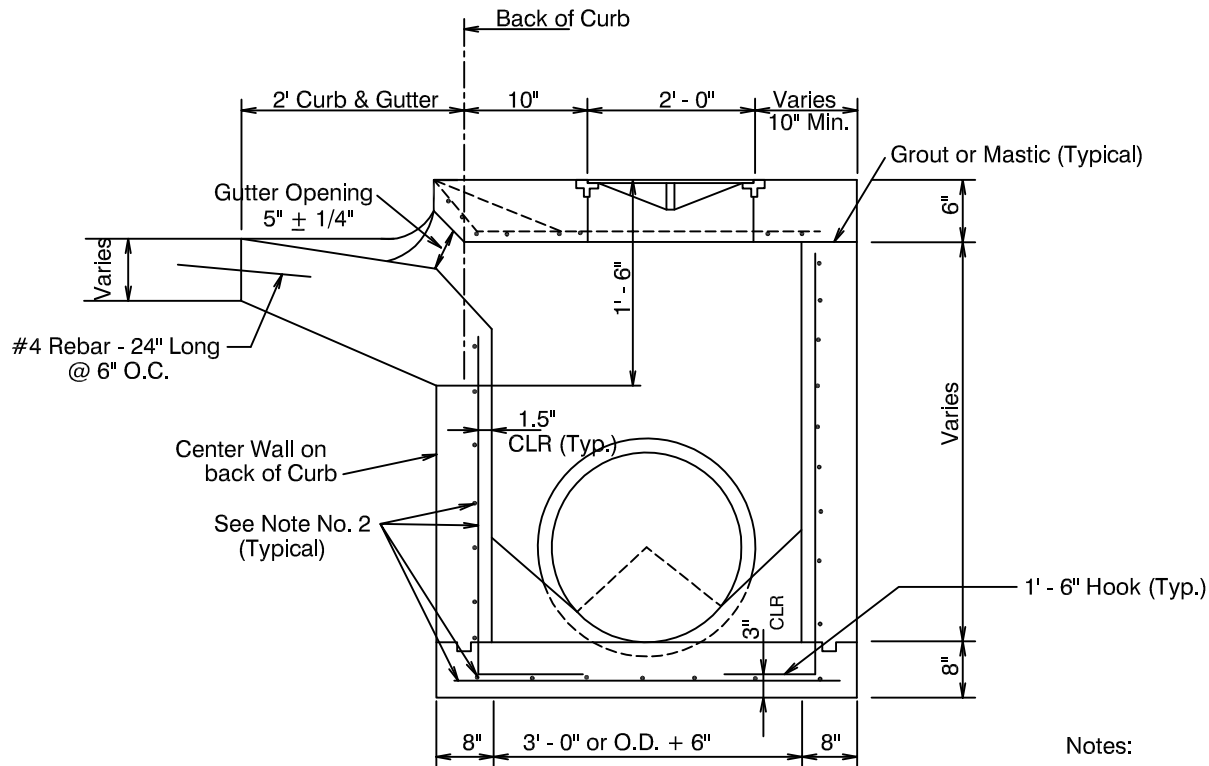
D = Inside Diameter of Pipe
 W = D + 1' - 0" Minimum W = 3' - 0"
 H = D + 1' - 0" Minimum H = 3' - 4"
WALLS TO BE 8" POURED CONCRETE
 Use Deeter # 2106 Grate or Approved Equal



Revised 4-2021
 NOT TO SCALE



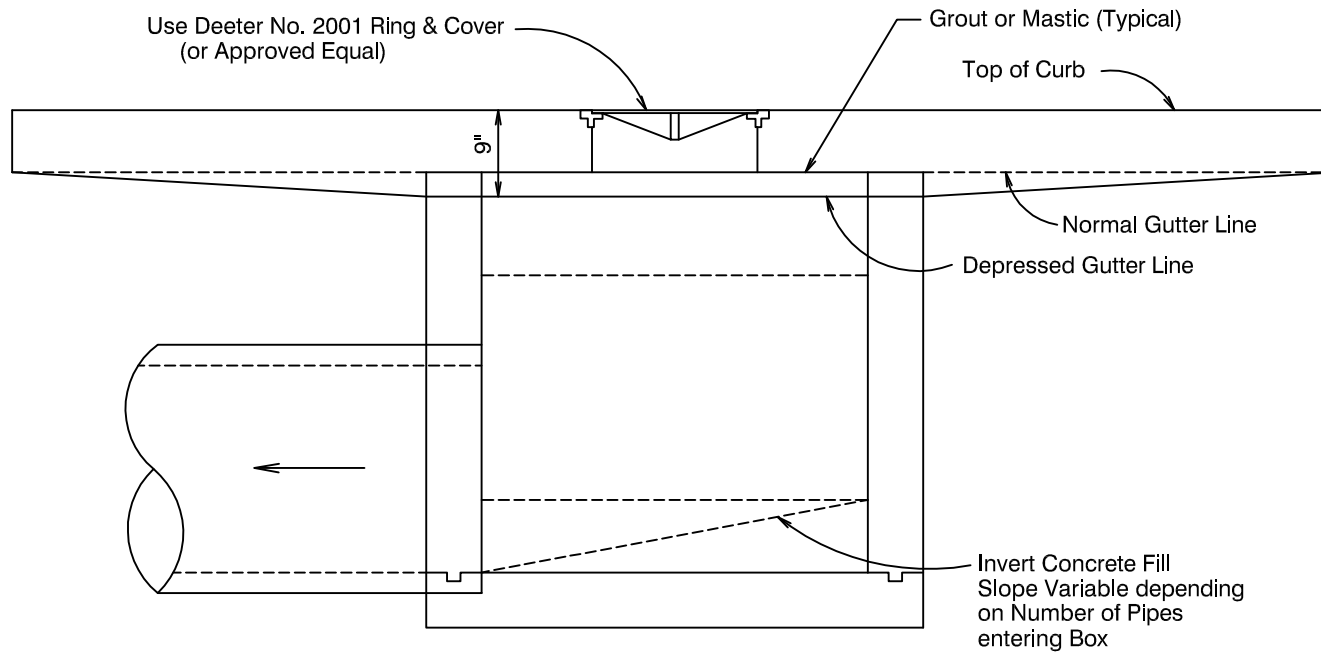
Revised 7-2020
NOT TO SCALE



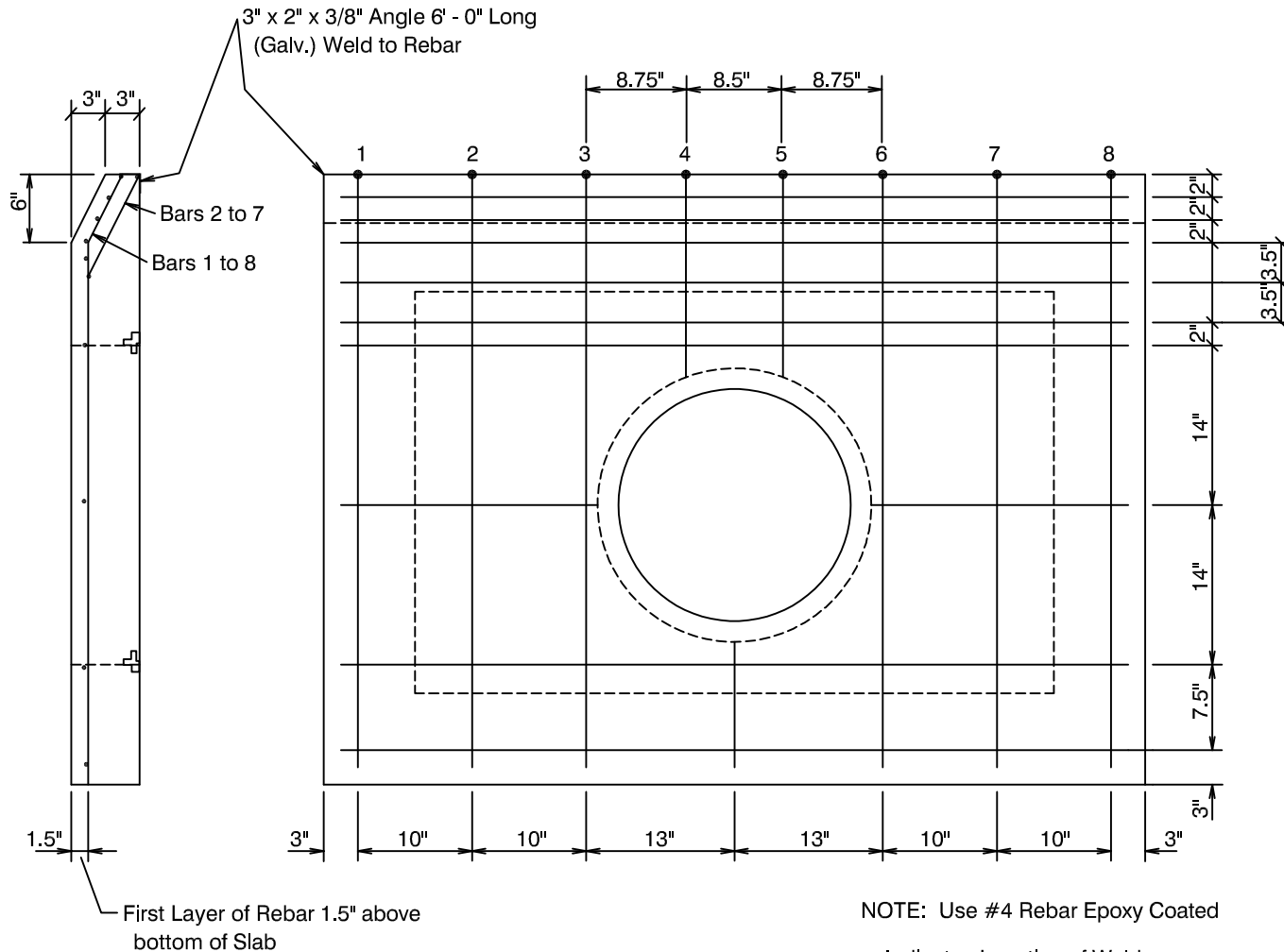
Notes:

1. All cold Construction Joints shall be doweled with #4 Rebar at 1' - 0" O.C. when wall/slab reinforcement is not required.
2. Contractor shall install reinforcing in walls and base slab when wall height is greater than 4' - 0". All reinforcing shall be #4 rebar at 12" O.C. each way unless indicated otherwise. Lap splices shall be 1' - 6" Minimum.
3. All reinforcing steel shall be epoxy coated

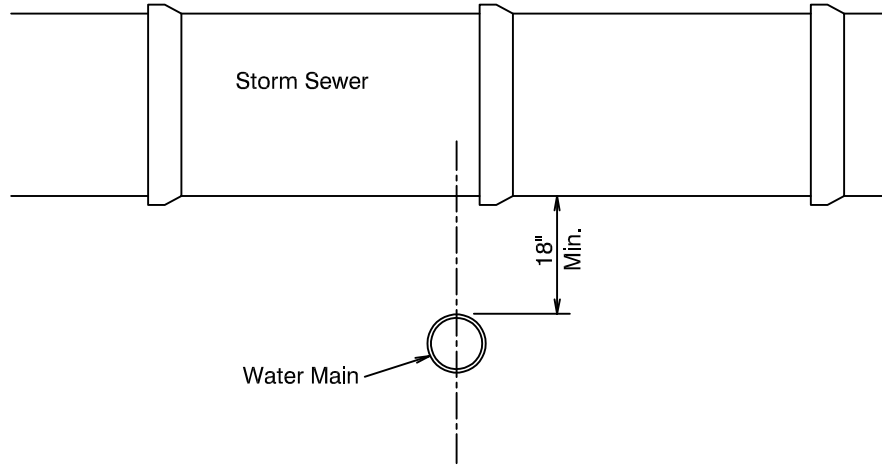
Revised 7-2020
NOT TO SCALE



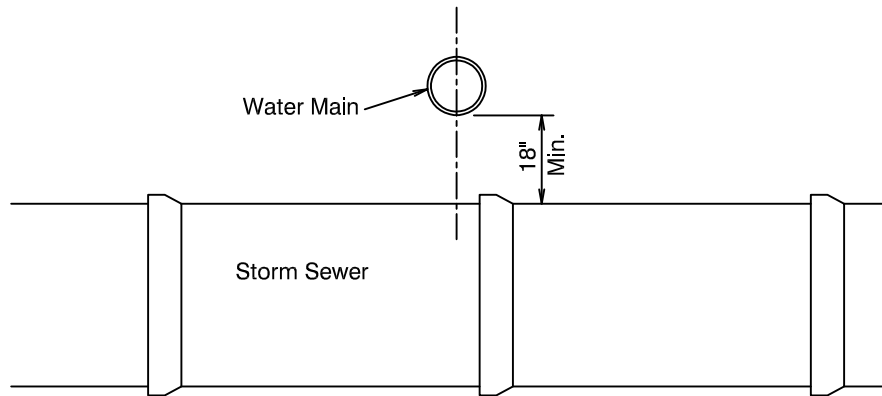
Revised 4-2021
NOT TO SCALE



Revised 7-2020
NOT TO SCALE



STORM SEWER CROSSING OVER WATER MAIN



STORM SEWER CROSSING UNDER WATER MAIN

STORM SEWER - WATER MAIN CROSSINGS

Not to Scale

Revised 7-2020
NO SCALE